

PROGRAMMING CONTINUED

Enabling Boost Mode for LEDs requiring a “boost” to start up

1. Turn the dimmer on and wait 5 seconds.
2. Press and hold the switch to set the lights to **minimum brightness**, and **continue pushing the switch for 2 more seconds**.
3. Turn the dimmer back on, then press and hold the switch to set the lights to **maximum brightness and continue pushing the switch for 2 more seconds**, then switch them off.
4. Press and hold the switch to set the lights to minimum brightness and **continue pushing the switch** for 2 seconds, then switch them off again.
5. The lights will ramp up to **half brightness and turn off**, then come on at a low level.
6. Press and **hold the switch to set your desired boost level** (use long presses to adjust). Repeat as needed, then release and wait for 3 seconds. The lights will **ramp up to half brightness** to confirm your selection before returning to normal operation.

To disable Boost Mode:

1. Repeat steps 1 to 5
2. After 3 seconds of inactivity, the lights will again ramp up to half brightness and turn off, then return to normal operation with boost disabled.

Guarantee Terms

Varilight undertakes to repair or replace, at its discretion, goods which have become defective solely as a result of faulty materials and workmanship, provided that:-

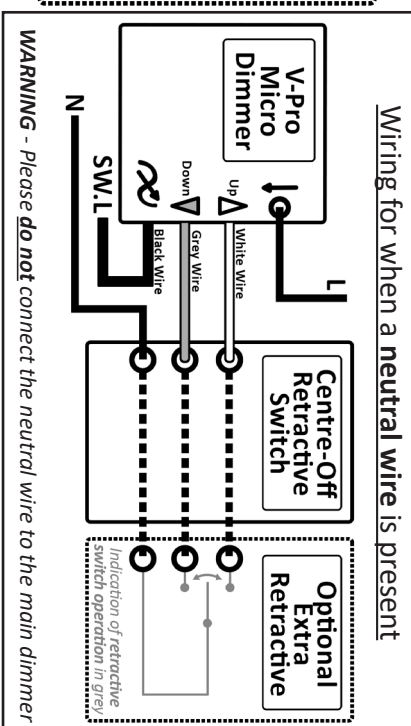
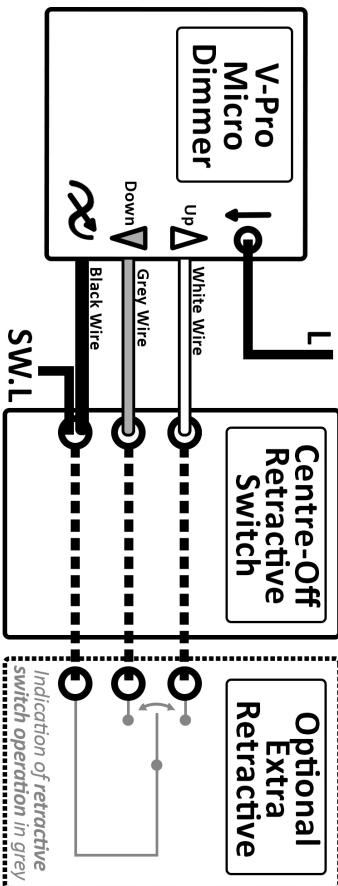
- a) **The unit has been correctly fitted according to the instructions** and has not been used with an incompatible load, fluorescent tubes, or overloaded beyond its rating, and has only been used on a 230VAC 50Hz power supply.
- b) **The dimmer module has not been tampered with or taken apart.**
- c) **The unit is securely packed and safely returned to either address listed in the overview section overleaf**, together with a letter stating the guarantee registration number below, the date and place of purchase, your contact details and return address, the type and wattage of the lighting or other load being controlled and the details of the fault.

This guarantee states our entire liability, which does not extend to cover consequential loss or damage or installation costs arising from a defective product. The guarantee does not apply to problems arising from any incompatibility between your lamps and the dimmer switch. This guarantee does not in any way affect the statutory rights of the purchaser and is offered so that you may have the benefit of our technical facilities. In many cases products don't need replacing.

Guarantee Registration
Number: MDK006



Wiring Diagrams



V-PRO MICRO DUAL

PUSH CONTROL

DIMMER INSTRUCTIONS

Thank you for choosing the **V-Pro Micro Dimmer**, designed for dimming LED lighting with centre re-tractive/push-to-make switches.

Use only on an electricity supply of **216V–253V 50Hz AC**.

For FAQs, please visit:
www.varilight.co.uk/faqs

Important Information

Read **ALL sections** below before installing this dimmer. **INSTALLERS** – Please leave these instructions with your customer for future reference.

WARNING: Avoid installing products with metal faceplates directly onto freshly plastered or damp surfaces, as this may cause tarnishing. If unsure, use a temporary polythene gasket to protect the product. Do not apply masking tape to faceplates.

Compliance and Safety

This product meets **European Safety Regulations (IEC 669-2-1 or BSEN 60669-2-1)**. The installer must ensure that **lights are visibly on**, even at the lowest brightness setting, to comply with **EU EcoDesign Regulation 1194/2012**. For guidance on adjusting the minimum brightness see programming.

Dimmer Loading

• Always follow the recommended maximum loads stated on the dimmer.

Recommended For:

• Dimmable LED lighting.

Also Compatible With:

• High-quality dimmable low-voltage transformers.

Not Suitable For:

- Fluorescent bulbs and tubes.
- Electric motors.

Overload Protection

The dimmer has built-in protection against overheating and overload. If overloaded, it will turn off automatically. To reset, turn off the dimmer, remove the overload, and turn it back on. However, a total short circuit may permanently damage the dimmer.

Transformers

Use only high-quality dimmable transformers. Calculate the load using the transformer's VA rating, not the bulb's wattage. Choose a transformer close to the lamp's load.

Installation Steps

1. **Turn off the mains power.** Remove the existing switch and disconnect its wiring, keeping wires that are grouped together intact.
2. **Connect the wires to the dimmer** as shown in the diagrams overleaf. Make sure no bare wires are exposed.
3. **Ensure the dimmer has enough space** in the back box and that no wires are trapped.
4. Restore mains power and test the dimmer.

Control Scheme

Short press: turn lights on/off.

o Long press: adjust the brightness up or down with corresponding switches

Important Note

Always **disconnect the dimmer before performing insulation resistance testing**. Failure to do so may damage the dimmer and **void the guarantee**.

PROGRAMMING

Changing the Driving Mode

*There are 3 driving modes for different lighting loads. **Mode 1 comes pre-installed on your dimmer**, and is best for most LEDs*

1. Turn the dimmer on and wait 5 seconds.
2. Set the dimmer to its **maximum brightness, and continue pushing the switch for 2 more seconds.**
3. Press the switch **6 times at one-second intervals**. The lights will step up and down in brightness, indicating you've entered programming mode.
4. Choose the driving mode by briefly pressing the switch:
 - o Once for **Mode 1**.
 - o Twice for **Mode 2**.
 - o Three times for **Mode 3**.
5. The lights will flash once, twice, or three times to confirm the selected mode and return to normal operation.

Adjusting the Minimum Brightness

1. Turn the dimmer on and wait 5 seconds.
2. Set the dimmer to its **minimum brightness, and continue pushing the switch for 2 more seconds.**
3. Press the switch **6 times at one-second intervals** to enter programming mode. The lights will step up and down in brightness, indicating you've entered programming mode.
4. Press and **hold the switch to set your desired minimum brightness** (use long presses to adjust). Repeat as needed, then release and wait for 3 seconds. The lights will step up and down to confirm your selection before returning to normal operation.

Adjusting the Maximum Brightness

1. Turn the dimmer on and wait 5 seconds.
2. Set the dimmer to its **maximum brightness, and continue pushing the switch for 2 more seconds.**
3. Press the switch **6 times at one-second intervals**. The lights will step up and down in brightness, indicating you've entered programming mode.
4. Press and **hold the switch to set your desired maximum brightness** (use long presses to adjust). Repeat as needed, then release and wait for 3 seconds. The lights will step up and down to confirm your selection before returning to normal operation.

Factory Reset

1. Turn the dimmer on and wait 5 seconds.
2. Press the switch **6 times at one-second intervals**. The lights will step up and down in brightness, indicating programming mode.
3. Press the switch **another 6 times at one-second intervals**.
4. The lights will come on, and dim to off confirming the reset, then return to normal operation.

Enabling Child Lock to prevent unintended programming

1. Turn the dimmer on and wait 5 seconds.
2. Press and hold the switch to set the lights to **maximum brightness and continue pushing the switch for 2 seconds**, then switch them off.
3. **Turn the dimmer back on**, then press and hold the switch to set the lights to **minimum brightness and continue pushing the switch for 2 seconds**, then switch them off.
4. Press and hold the switch to set the lights to **maximum brightness and continue pushing the switch for 2 seconds**, then switch them off again.
5. The lights will flash once and turn off, confirming the dimmer is now in Child Lock mode then return to normal operation.

To disable Child Lock:

1. Turn the dimmer on and wait 5 seconds.
2. Repeat steps 1 to 3 above.
3. After 5 seconds, the lights will flash twice and turn off, confirming the dimmer is no longer in Child Lock mode then return to normal operation.